



ArmaKontrol
Group Company

ARMA POLYSAFE

INDUSTRIAL SAFETY BARRIER

PE100 INDUSTRIAL
SAFETY BARRIERS



HDPE INDUSTRIAL BARRIER?



LONG-LASTING PERFORMANCE

High-density polyethylene (HDPE) material is highly resistant to aging, corrosion and environmental factors.

Provides long-term protection with a minimum service life of **10 years**.



IMPACT RESISTANCE AND FLEXIBLE STRUCTURE

Provides high resistance to impacts, dispersing the energy and minimizing damage to the barrier. Ensures durability against collisions.



RELIABLE IN HARSH CONDITIONS

Highly resistant to extreme hot and cold, moisture, UV rays and chemicals. Provides safe and long-lasting use even in harsh environments.



LIGHTWEIGHT AND EASY TO INSTALL

Steel, concrete and composite materials are heavier. Easy to transport, quick to install and can be easily integrated into projects.



WIDE TEMPERATURE RESISTANCE RANGE

Retains its strength and performance in low and high temperatures. It does not crack or break and can be used safely.



RESISTANT TO TEMPERATURE CHANGES

Resistant to heat changes, maintains its integrity between temperatures. Provides stable performance with long-term use.



CHEMICAL AND ENVIRONMENTAL RESISTANCE

Resistant to acids, bases, salts, fuels and many chemicals. Minimizes the risk of corrosion and protects the environment.



LOW MAINTENANCE NEED

Does not require painting, protective coating or special maintenance. Offers cost-effective solutions with low maintenance.



**LONG SERVICE LIFE
LOW COST**

HDPE industrial barriers, with their long-lasting structure and low maintenance requirements, reduce operating costs, offer a safe working environment and provide economic solutions.

MINIMUM
10
YEARS
SERVICE LIFE



HIGH IMPACT
STRENGTH



UV
RESISTANT



CHEMICAL
RESISTANCE



LOW
MAINTENANCE



ORIGINAL
MATERIAL

ARMA POLYSAFE SERIES PL-Y100

High impact strength, long lasting and maximum safety with HDPE (High Density Polyethylene) material.

HDPE

HIGH DENSITY
POLYETHYLENE



**HIGH IMPACT
STRENGTH**

Protects against strong impacts and collisions



**UV
RESISTANT**

Does not fade or deteriorate due to sunlight



LONG LASTING

Resistant to corrosion and chemicals



**LOW
MAINTENANCE**

Provides long-term cost advantage

HIGHWAY BARRIER SYSTEMS

HIGH IMPACT PROTECTION BARRIER

POLYSAFE CORE, made from high strength HDPE (High Density Polyethylene) material, is an industrial safety barrier. It provides high impact strength, resistance to heavy loads, and long-lasting protection. It is designed to withstand heavy loads and protect your facility.



**HIGH IMPACT
STRENGTH**



**FORKLIFT
PROTECTION**



**UV
RESISTANT**



**MODULAR
STRUCTURE**



**LOW
MAINTENANCE**



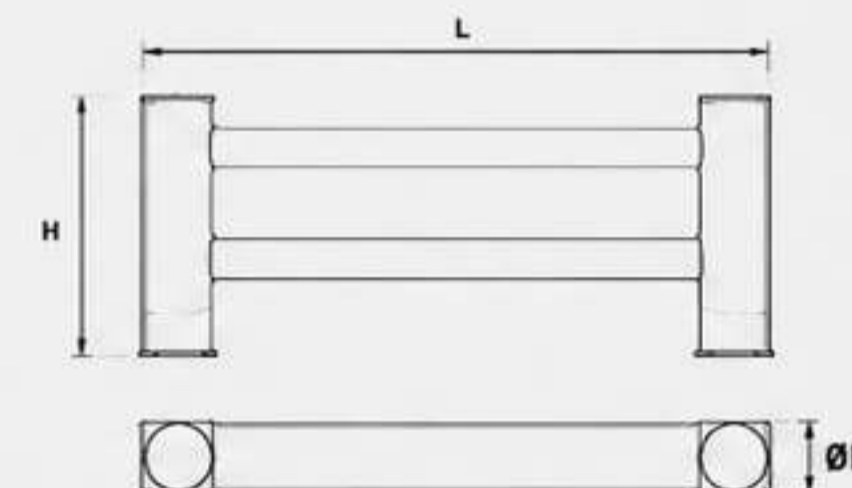
**100%
RECYCLABLE**

TECHNICAL SPECIFICATIONS

Material	PE100
Operating Temperature	-40 °C / +60 °C
Impact Strength	High
UV Resistance	Yes
Chemical Resistance	High
Flammability Rating	HB (UL94)
Installation	Concrete Anchor / Bolt
Color	Yellow (RAL1021) ●
Optional Color	Black (RAL9004) ●
Connection Type	Original Material

DIMENSION OPTIONS

Different size and thickness options are available.



ØD (Cap)	125 mm - 200 mm (varies by option)
Wall Thickness	6 mm - 10 mm (varies by option)
L (Length)	1000 mm - 2000 mm (varies by option)
H (Height)	500 mm - 1200 mm (varies by option)

APPLICATION AREAS



Factories



Warehouses & Logistics



Pedestrian Paths



Machine Protection



Production Facilities



Rack & Equipment
Protection



ARMA POLYSAFE SERIES PL-R100

High impact strength, long life and maximum safety with HDPE (High Density Polyethylene) material.

PE100
HIGH DENSITY
POLYETHYLENE

RACK & EQUIPMENT PROTECTION BARRIERS

HIGH IMPACT PROTECTION BARRIER

POLYSAFE CORE, made from high strength PE100 (Polyethylene) material, is an industrial safety barrier. It provides high impact strength, resistance to heavy loads, and long-lasting protection. It is designed to withstand heavy loads and protect your facility.

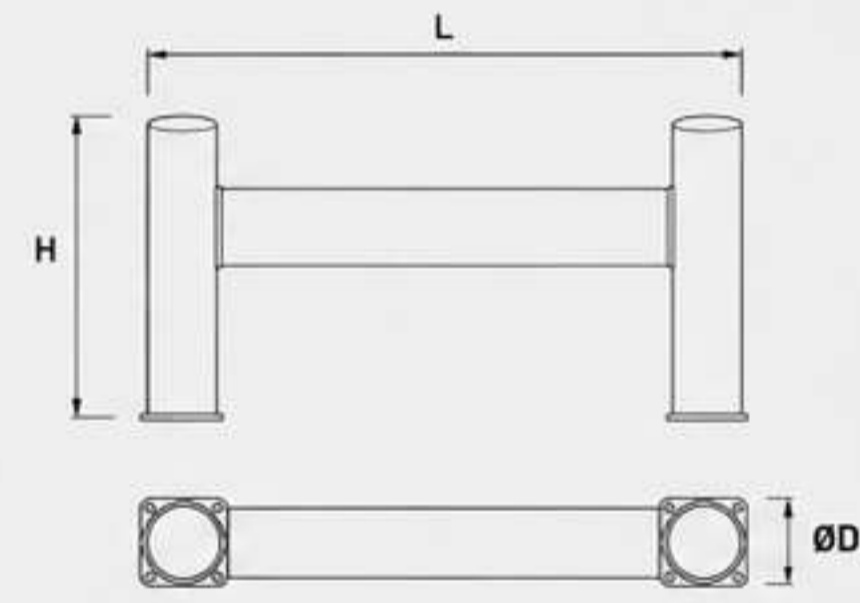
					
HIGH IMPACT STRENGTH	FORKLIFT PROTECTION	UV RESISTANT	MODULAR STRUCTURE	LOW MAINTENANCE	100% RECYCLABLE

TECHNICAL SPECIFICATIONS

Material	PE100
Operating Temperature	-40 °C / +60 °C
Impact Strength	High
UV Resistance	Yes
Chemical Resistance	High
Flammability Rating	HB (UL94)
Installation	Concrete Anchor / Bolt
Color	Yellow (RAL1021) ●
Optional Color	Black (RAL9004) ●
Connection Type	Original Material

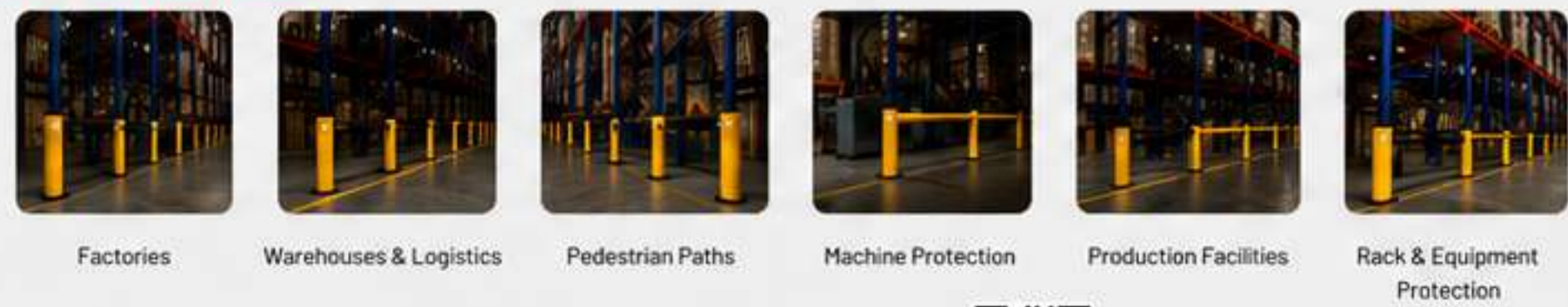
DIMENSION OPTIONS

Different size and thickness options are available.



- ØD (Cap) : 125 mm - 200 mm (varies by option)
- Wall Thickness : 6 mm - 10 mm (varies by option)
- L (Length) : 1000 mm - 2000 mm (varies by option)
- H (Height) : 500 mm - 1200 mm (varies by option)

APPLICATION AREAS



 HIGH IMPACT STRENGTH Protects against strong impacts and collisions	 UV RESISTANT Does not fade or deteriorate due to sunlight	 LONG LASTING Resistant to corrosion and chemicals	 LOW MAINTENANCE Provides long-term cost advantage	 100% RECYCLABLE Original Raw Material
--	---	---	--	---



Scan for more details

ARMA POLYSAFE SERIES PL-T100

High impact strength, long life and maximum safety with HDPE (High Density Polyethylene) material.



HDPE
HIGH DENSITY
POLYETHYLENE



HIGH IMPACT STRENGTH

Protects against strong impacts and collisions



UV RESISTANT

Does not fade or deteriorate due to sunlight



LONG LASTING

Resistant to corrosion and chemicals



LOW MAINTENANCE

Provides long-term cost advantage

TRAFFIC BARRIERS

HIGH IMPACT PROTECTION BARRIER

POLYSAFE CORE, made from high strength HDPE (High Density Polyethylene) material, is an industrial safety barrier. It is designed to withstand heavy forklift traffic areas and protect equipment, racking systems and structures from impacts, reducing the risk of damage and increasing safety.



HIGH IMPACT STRENGTH



FORKLIFT PROTECTION



UV RESISTANT



MODULAR STRUCTURE



LOW MAINTENANCE



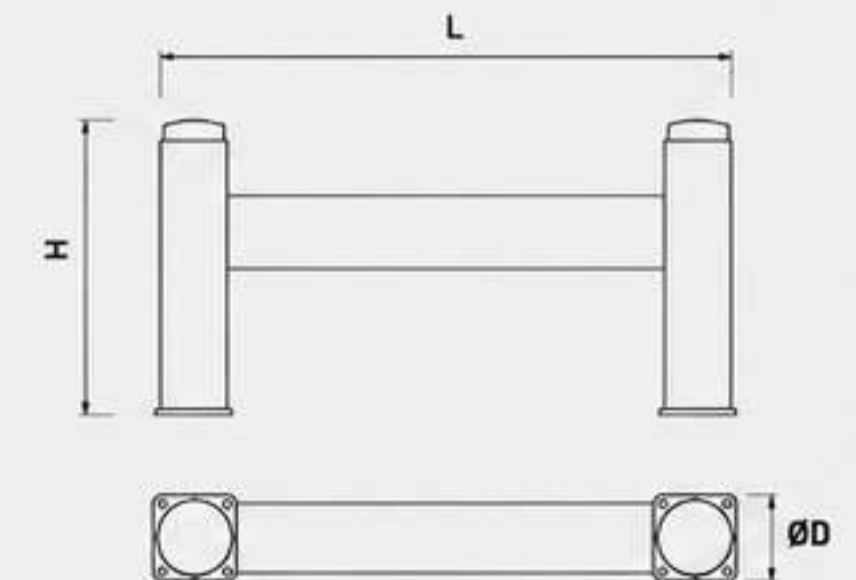
100% RECYCLABLE

TECHNICAL SPECIFICATIONS

Material	PE100
Operating Temperature	-40 °C / +60 °C
Impact Strength	High
UV Resistance	Yes
Chemical Resistance	High
Flammability Rating	HB (UL94)
Installation	Concrete Anchor / Bolt
Color	Yellow (RAL1021) ●
Optional Color	Black (RAL9004) ●
Connection Type	Original Material

DIMENSION OPTIONS

Different size and thickness options are available.



ØD (Cap)	: 125 mm - 200 mm (varies by option)
Wall Thickness	: 6 mm - 10 mm (varies by option)
L (Length)	: 1000 mm - 2000 mm (varies by option)
H (Height)	: 500 mm - 1200 mm (varies by option)

APPLICATION AREAS



Factories



Warehouses & Logistics



Pedestrian Paths



Machine Protection



Production Facilities



Rack & Equipment Protection



ARMA POLYSAFE SERIES PL-K100

Protects columns, walls and equipment from impacts. Stands strong against impacts, ensuring workplace safety.



HDPE
HIGH DENSITY
POLYETHYLENE



**HIGH IMPACT
RESISTANCE**

Designed to withstand strong impacts.



**UV
RESISTANCE**

Maintains performance even under sun exposure.



**LONG
DURABILITY**

High resistance to corrosion, wear and chemicals.



**LOW MAINTENANCE
REQUIREMENT**

Minimal maintenance, maximum efficiency.

COLUMN PROTECTOR BARRIERS

HIGH IMPACT COLUMN PROTECTOR BARRIERS

POLYSAFE CORE, made from high-strength PE100 (Polyethylene) material, delivers superior impact protection. It is highly resistant to forklift impacts and various external factors, ensuring durability and long-lasting performance in harsh industrial environments.



**HIGH IMPACT
RESISTANCE**



**FORKLIFT
PROTECTION**



**UV
RESISTANCE**



**MODULAR
STRUCTURE**




**LOW MAINTENANCE
REQUIREMENT**



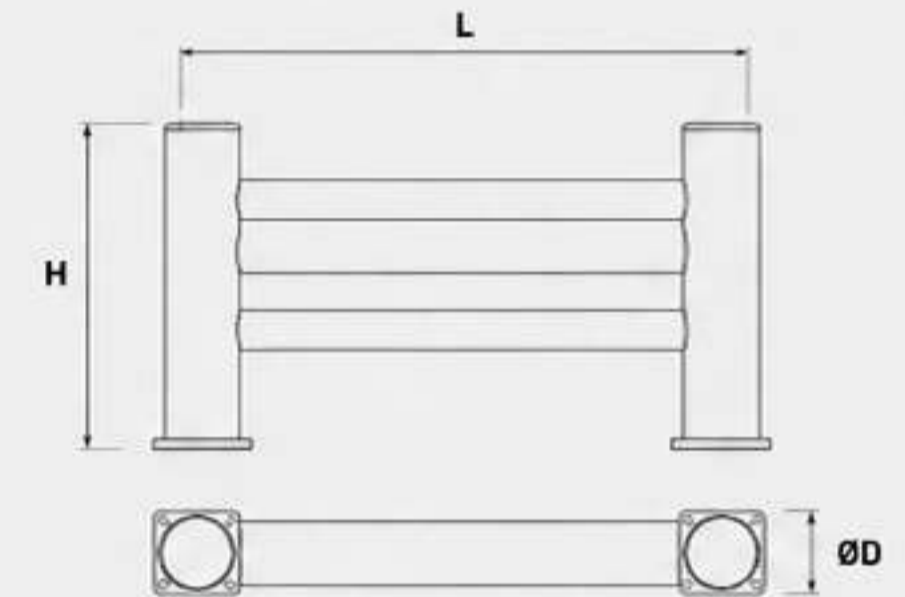
**100%
RECYCLABLE**

TECHNICAL SPECIFICATIONS

Material	PE100
Operating Temperature	-40 °C / +60 °C
Impact Resistance	High
UV Resistance	Yes
Chemical Resistance	High
Flammability Rating	HB (UL94)
Installation	Surface Mount / Anchor Bolted
Color	Yellow 
Optional Colors	Grey (RAL1021) 
Customization	Original Material Color

DIMENSION OPTIONS

Various sizes and custom options available.



ØD (Diameter)	: 125 mm – 200 mm (various options)
L (Length)	: 4 m – 10 m (various options)
L (Custom Length)	: 1000 mm – 2000 mm (fixed length)
H (Height)	: 500 mm – 1200 mm (various options)

APPLICATION AREAS



Factory Areas



Warehouse & Logistics



Aisle Protection



Machine Protection



Production Facilities



Column & Wall
Protection



ARMA POLYSAFE SERIES PL-D100

Protects doors, passages, equipment and work areas from impacts. Creates safe passages with its durable and visible structure.

PE100

HIGH DENSITY μ
POLYETHYLENE



HIGH IMPACT RESISTANCE

Withstands strong impacts.



UV RESISTANCE

Maintains performance even under sun exposure.



LONG DURABILITY

High resistance to corrosion, wear and chemicals.



LOW MAINTENANCE REQUIREMENT

Minimal maintenance, maximum efficiency.

DOOR PROTECTOR BARRIERS

HIGH IMPACT RESISTANT PROTECTIVE BARRIERS

POLYSAFE CORE, made from high-strength PE100 (Polyethylene) material is an industrial protection barrier. It is designed to resist impacts from heavy traffic areas such as forklifts, equipment, structures and vehicles.



HIGH IMPACT
RESISTANCE



FORKLIFT
PROTECTION



UV
RESISTANCE



MODULAR
STRUCTURE



LOW MAINTENANCE
REQUIREMENT



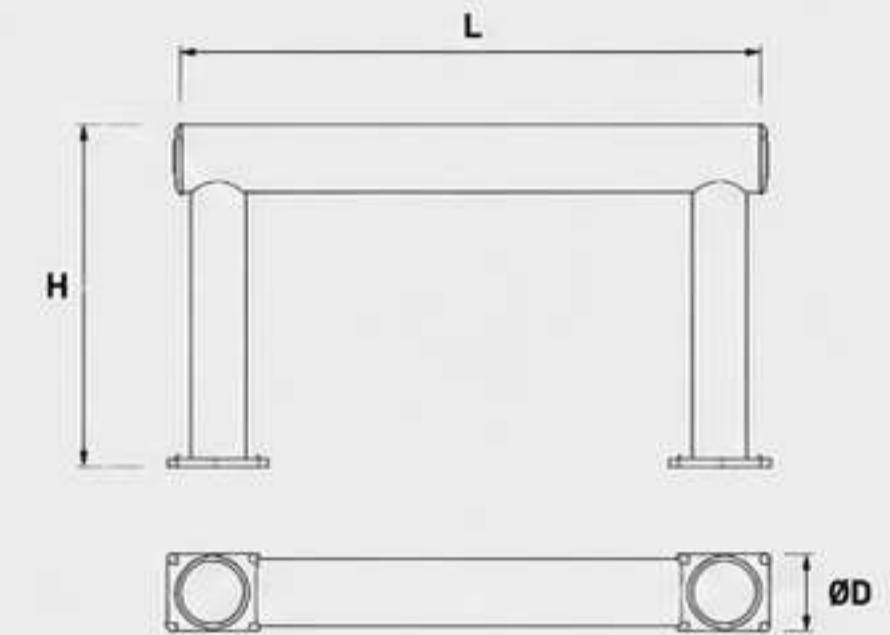
100%
RECYCLABLE

TECHNICAL SPECIFICATIONS

Material	PE100
Operating Temperature	-40 °C / +60 °C
Impact Resistance	High
UV Resistance	Yes
Chemical Resistance	High
Flammability Rating	HB (UL94)
Installation	Surface Mount / Anchor Bolted
Color	Yellow ●
Optional Renk	Grey (RAL1021) ●
Customization	Original Material Color

DIMENSION OPTIONS

Various sizes and custom options available.



ØD (Diameter)	: 125 mm - 200 mm (various options)
Et Kalınlığı	: 6 mm - 10 mm (various options)
L (Length)	: 1000 mm - 2000 mm (various options)
H (Height)	: 500 mm - 1200 mm (various options)

APPLICATION AREAS



Factory Areas



Warehouse & Logistics



Walkways



Machine Protection



Production Facilities



Door Passages



ARMA POLYSAFE SERIES PL-F100

Designed to prevent forklift accidents, falling from ramps, and collisions during forklift movement.

PE100
HIGH DENSITY
POLYETHYLENE



**HIGH IMPACT
STRENGTH**

Provides superior protection against forklift and vehicle collisions



**UV
RESISTANT**

Suitable for indoor and outdoor use



LONG LASTING

Resistant to corrosion and chemicals



**LOW
MAINTENANCE**

Requires minimal maintenance and reduces costs



**100%
RECYCLABLE**

Original Raw Material

FIXED BOLLARD BARRIERS

HIGH IMPACT PROTECTION BARRIER

POLYSAFE CORE, made from high density PE100 (Polyethylene) material, is an industrial grade protection barrier. In areas with heavy forklift traffic, it is designed to protect equipment, racking systems, structures and personnel by reducing the risk of impact, collisions and damage.



**HIGH IMPACT
STRENGTH**



**FORKLIFT
PROTECTION**



**UV
RESISTANT**



**MODULAR
STRUCTURE**



**LOW
MAINTENANCE**



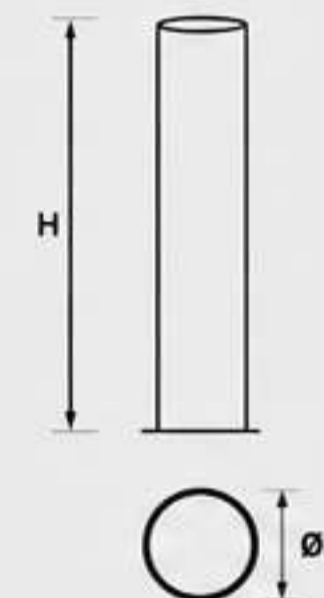
**100%
RECYCLABLE**

TECHNICAL SPECIFICATIONS

Material	PE100
Operating Temperature	-40 °C / +60 °C
Impact Strength	High
UV Resistance	Yes
Chemical Resistance	High
Flammability Rating	HB (UL94)
Installation	Concrete Anchor / Bolt
Color	Yellow (RAL1021) ●
Optional Color	Black (RAL9004) ●
Connection Type	Original Material

DIMENSION OPTIONS

Different diameter and thickness options are available.



ØD (Cap)	: 125 mm - 200 mm (varies by option)
Wall Thickness	: 6 mm - 10 mm (varies by option)
L (Length)	: 1000 mm - 2000 mm (custom production)
H (Height)	: 500 mm - 1200 mm (varies by option)

APPLICATION AREAS



Factories



Warehouses & Logistics



Pedestrian Paths



Machine Protection



Production Facilities



Safety Areas



Scan for more
details

ARMA POLYSAFE SERIES PL-H100

Rack support feet protectors protect racks from impacts, prevent structural damage, and ensure maximum safety.

PE100
HIGH DENSITY
POLYETHYLENE

RACK FOOT PROTECTORS BARRIERS

HIGH IMPACT RESISTANT RACK PROTECTION BARRIERS

POLYSAFE CORE, made from high-strength PE100 (Polyethylene) material delivers superior impact protection. It is highly resistant to heavy traffic areas, equipment, racks and structures against shocks and reduces the risk of damage to the rack and increases safety.



HIGH IMPACT
RESISTANCE



FORKLIFT
PROTECTION



UV
RESISTANCE



MODULAR
STRUCTURE





LOW MAINTENANCE
REQUIREMENT



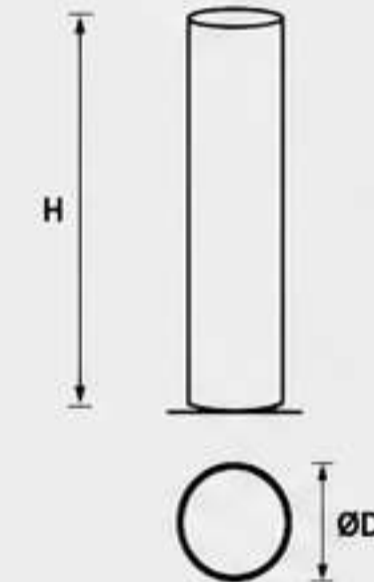
100%
RECYCLABLE

TECHNICAL SPECIFICATIONS

Material	PE100
Operating Temperature	-40 °C / +60 °C
Impact Resistance	High
UV Resistance	Yes
Chemical Resistance	High
Flammability Rating	HB (UL94)
Installation	Surface Mount / Anchor Bolted
Color	Yellow 
Optional Colors	Black (RAL9004) 
Customization	Original Raw Material

DIMENSION OPTIONS

Various sizes and custom options available.



ØD (Diameter)	: 125 mm – 200 mm (various options)
Thickness (t)	: 6 mm – 10 mm (various options)
L (Length)	: 1000 mm – 2000 mm (fixed length)
H (Height)	: 300 mm – 1000 mm (various options)

APPLICATION AREAS



Storage Systems



Logistics Centers



Production Facilities



Cold Storage
Warehouses



Warehouse Storage
Areas



Archive and Storage
Areas



HIGH IMPACT
RESISTANCE

Designed to withstand
strong impacts.



UV
RESISTANCE

Suitable for indoor and
outdoor use.



LONG
DURABILITY

High resistance to corrosion,
wear and chemicals.



LOW MAINTENANCE
REQUIREMENT

Low maintenance,
reduces operating costs.



100%
RECYCLABLE

Original
Raw Material






ArmaKontrol

Group Company

 **FACTORY:** B.O.S.B. Mercancilar San. Sit. 2. Cad. No:11
Beylikdüzü/İstanbul, Turkey

 +90 212 222 75 00

 arma@armakontrol.com

 armakontrol.com

